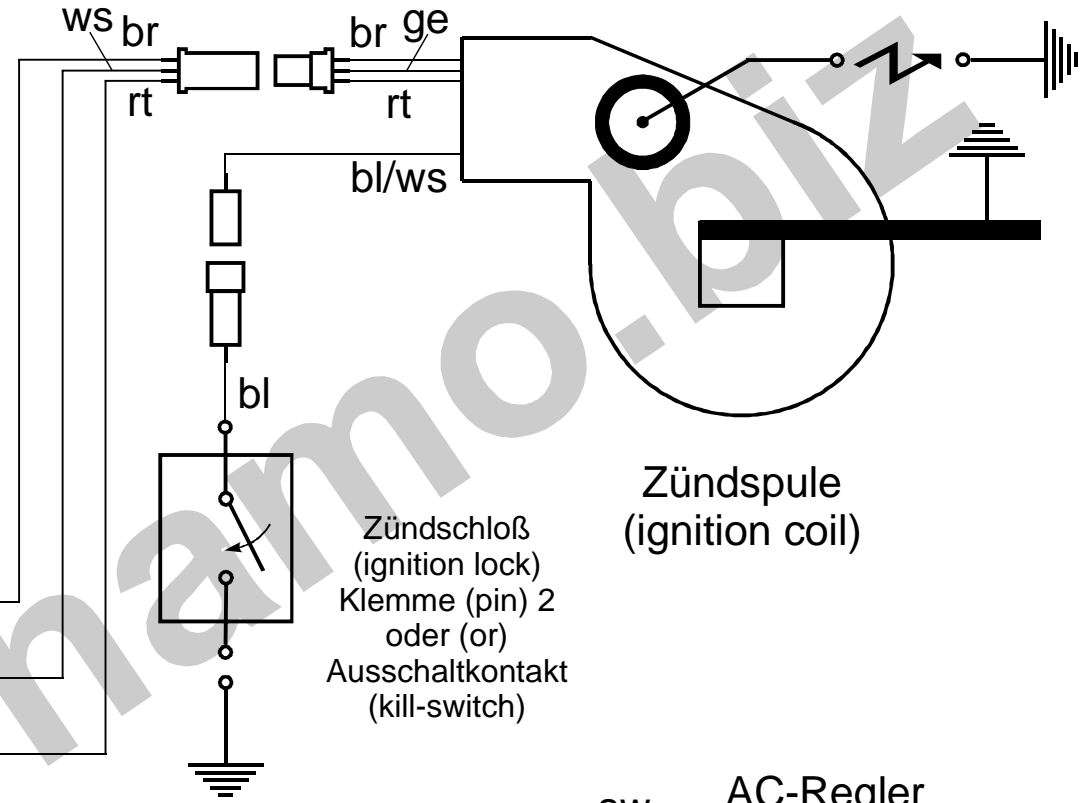
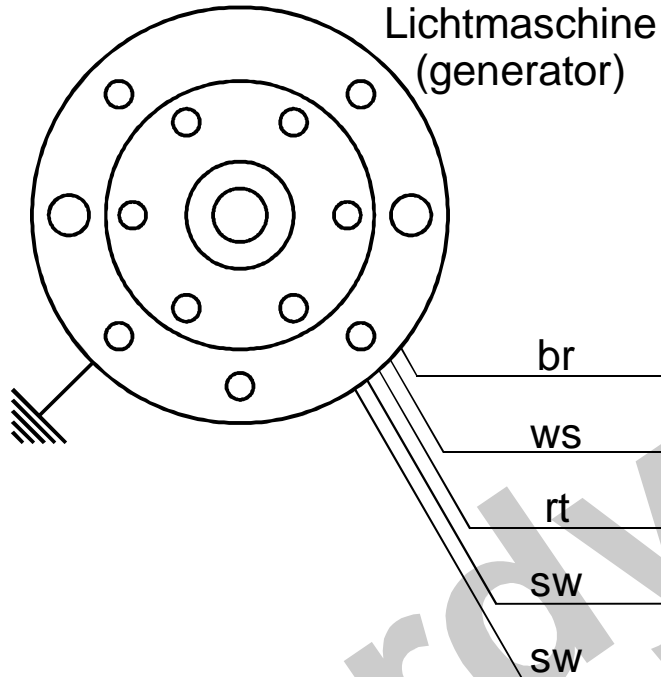




# Schaltplan 73ik-ac (wiring diagram)



Zündschloß  
(ignition lock)  
Klemme (pin) 2  
oder (or)  
Ausschaltkontakt  
(kill-switch)

Zündspule  
(ignition coil)

- Kabelfarben  
(wiring colours):**  
bl = blau (blue)  
br = braun (brown)  
ge = gelb (yellow)  
gn = grün (green)  
gr = grau (grey)  
rt = rot (red)  
sw = schwarz (black)  
ws = weiß (white)

