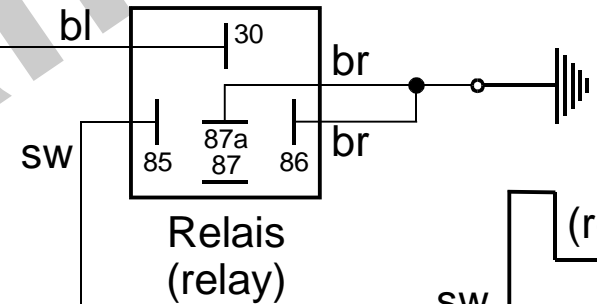
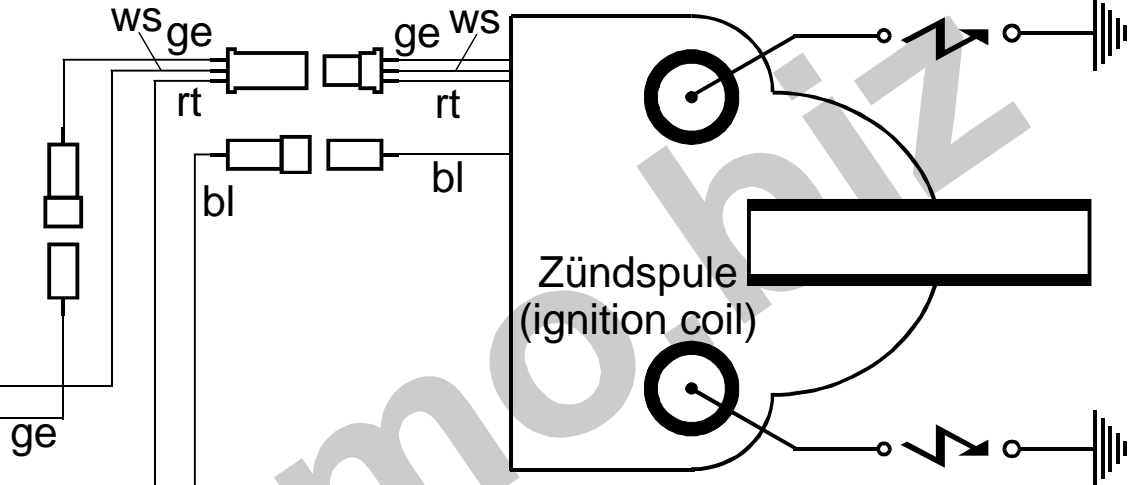
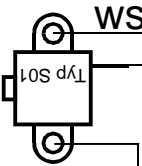
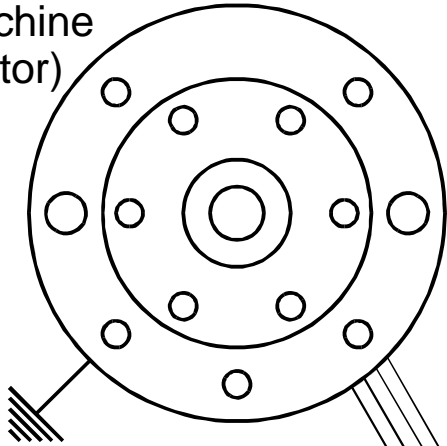


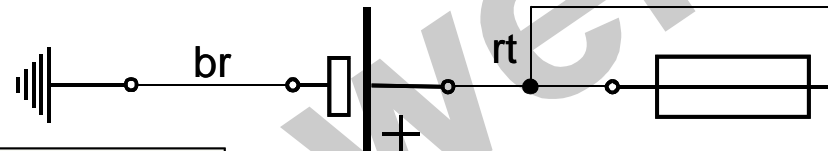
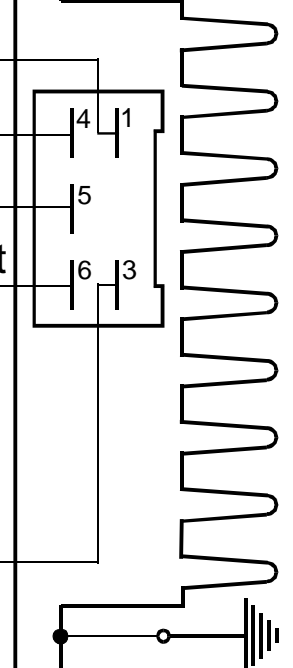


Schaltplan 72xr12 (wiring diagram)

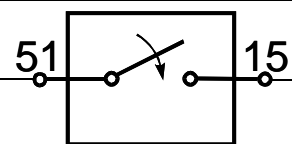
Lichtmaschine
(generator)



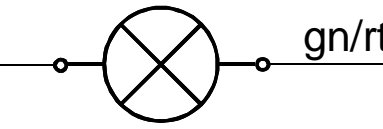
Regler
(regulator)



16 Ampere
Sicherung
(fuse)



Zündschloß
(ignition lock)



Ladekontrolle
(charge control)
nur (only) 12V

Bordnetz
(existing electric system)

- Kabelfarben
(wiring colours):
- bl = blau (blue)
 - br = braun (brown)
 - ge = gelb (yellow)
 - gn = grün (green)
 - gr = grau (grey)
 - rt = rot (red)
 - sw = schwarz (black)
 - ws = weiß (white)